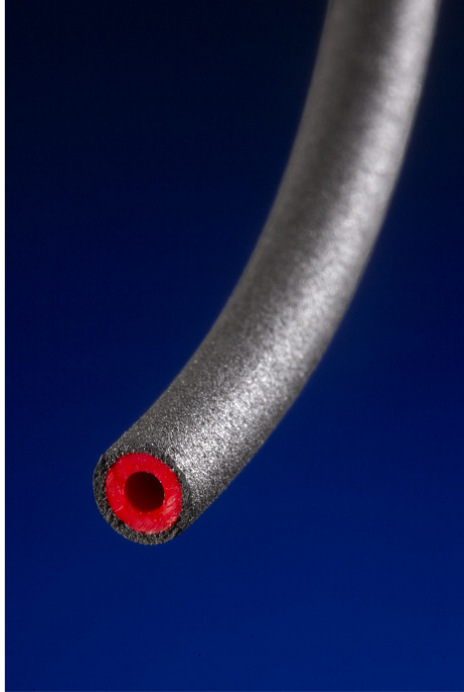


DATA SHEET OF COMPASHIELD SOFT GASKET

Introduction



Compashield Soft is an EMI shielding gasket developed by Nolato. It's a modified version of standard Ni/C hollow-O gasket. It is co-extruded with conductive material as the outer layer and non-conductive material as the inner layer.

Features and benefits

- Lower compression force than standard Ni/C gasket
- Lower compression set than standard Ni/C gasket
- Optimized conductive/non-conductive material combination
- Available in any sizes and profiles
- Broad range of metal filler meets all needs
- Available in cut-into length, spliced, or on the roll
- Secured sealing thanks to splicing
- Fast prototype for customized profiles within 5 working days

Applications

Typical applications of Compashield Soft gaskets include mainly telecom communications equipment, and it's applicable also for military appliance.

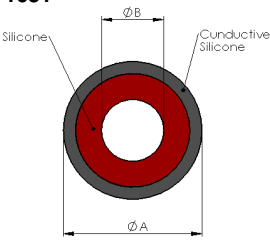
Typical material properties

Property	Test procedure	Unit	1540	8648
Base material			Silicone	Silicone
Conductive filler			-	Ni/C
Volume resistivity, as moulded	MIL-DTL-83528C	mOhmcm	-	5,6
Volume resistivity, aged 188C/48h	MIL-DTL-83528C	mOhmcm	-	7,8
Shielding effect Average 0.3-20 GHz Average 20-50 GHz	Nolato cavity-to-cavity	dB	-	140
Density	ISO 2781	g/cm ³	1,1	2,4
Hardness	ISO 7619	Shore A	50	80
Tensile strength	ISO 37	Mpa	8,5	4,3
Elongation at break	ISO 37	%	650	140
Tear strength	ISO 34-1C	N/mm	30	16
Compression set, 72 h, 100 °C	ISO 815	%	8	40
Flammability	UL 94		V1	V0
Compression modulus, 10% strain 20% strain	ISO 7743	MPa	4,0 4,5	10,9 13,1

Rev-2, 2010-09-29

Availability

One example of Compashiel Soft gasket is pictured as below. Other dimensions are available based on the request of the customers.

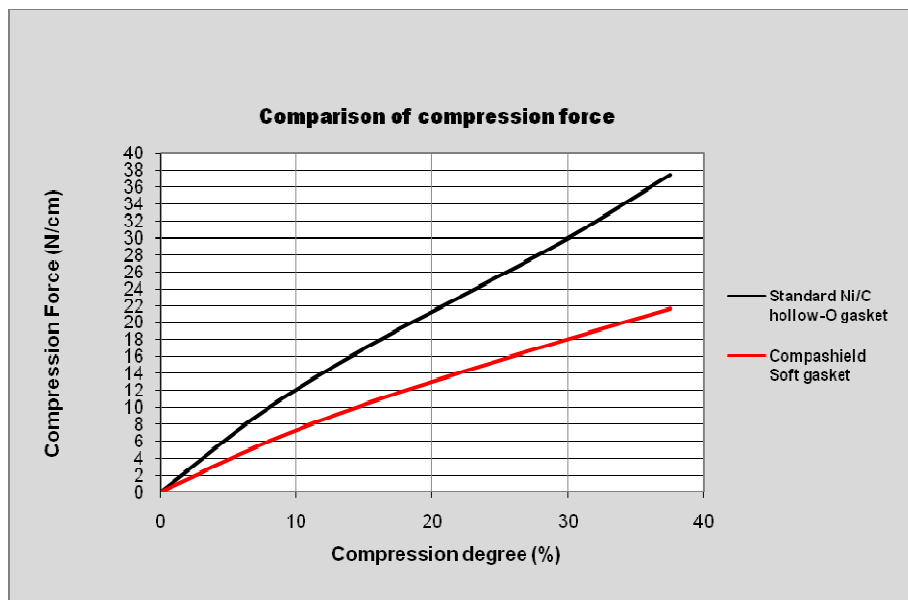
Typical profile	<p>Article No. 1631</p> 
	<p>Nominal dimension</p> <p>A: 4.0±0.15 B: 1.5±0.15</p>

Compression set

Property	Test condition	Compashield Soft gasket	Standard Ni/C hollow-O gasket
Compression set, *ISO 815	72 h, 100°C	12%	20%
Compression set *ISO 815	1000h, 85°C	14%	22%

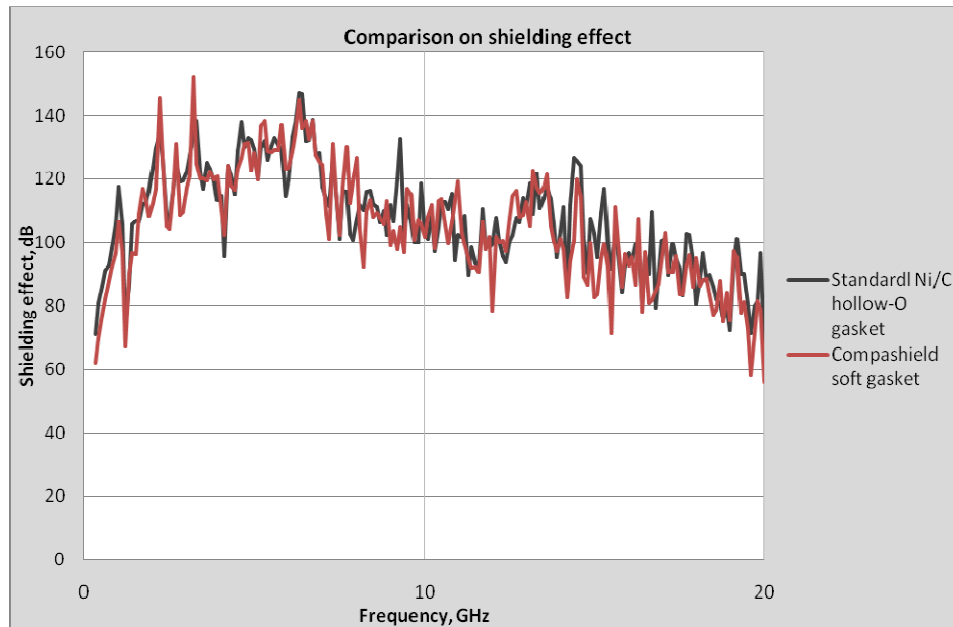
*Test is made on gaskets in dimension 4,0mm x 1,5mm as reference.

Comparison on compression force



*Test is made on gaskets in dimension 4,0mm x 1,5mm as reference. Recommended compression degree is from 10% to 30% in the assembled state. Compashield Soft gasket requires much lower compression force compared with the standard Ni/C hollow-O gasket on shielding effect.

Comparison on shielding effect



*Test is made on gaskets in dimension 4,0mm x1,5mm as reference. Compashield Soft gasket has the same excellent shilding properties as the standard Ni/C hollow-o gasket.